

“Stay Connected” with



Power Components

a PennEngineering® Company



Heyco® .187" Diameter Ground Pins - Male

For Heyco Padded and Full Thickness Blades, see pages 8-29 thru 8-34

All Series:

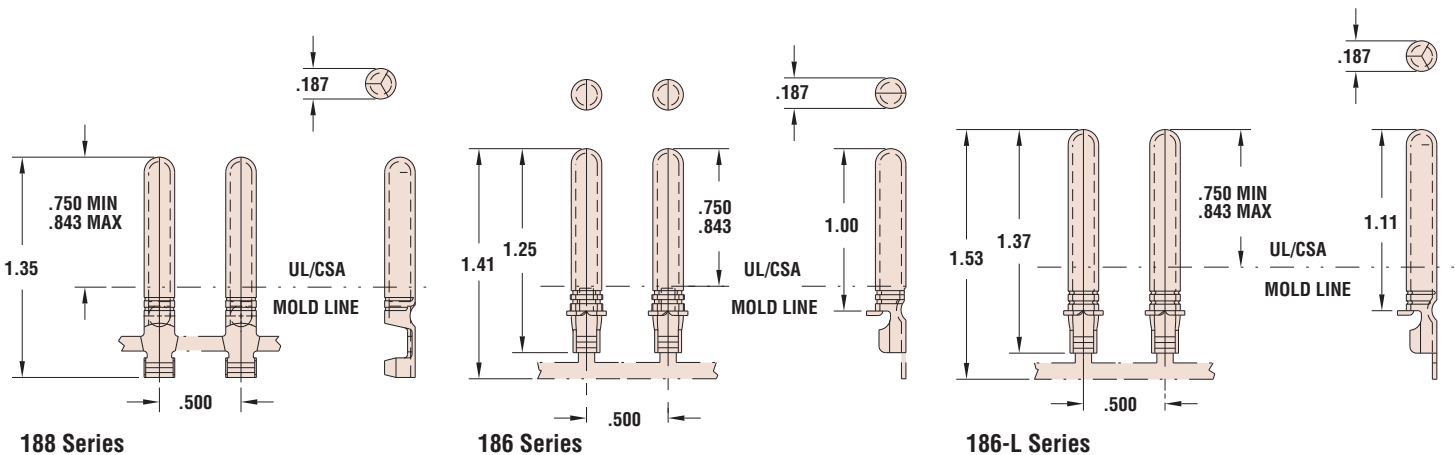
- **187" (4,7 mm)** Outside Diameter.
- Conductor crimp ears only.
- Available only in continuous strip form except **Part No. 5877** available Bulk only.
- Overall length options of 1.25" (31,8 mm), 1.35" (34,3 mm), and 1.37" (34,8 mm).
- **Series 186 and 186-L** feature a 90° “knee” section for **strain relief** and assembly orientation.
- DFARS Compliant

Overall Length in.	PART DATA		PART NO.	APPLICATION TOOLING*				
	AWG Range	Material		Die**	Feeds	Tool Packs	Crimp Punch	Anvil
188 Series								
1.35	18-12	Brass	5922	5922UXX5	Left to Right	B362L/B363L	C360	C629
		Brass	5923	5923UXX5	Right to Left	B362R/B363R	C360	C365
186 Series								
1.25	18-14	Brass	5877	-	Bulk	-	-	-
		Brass	5879	5879UXX5	Left to Right	B360L/B361L	C001	C009
		Brass	5880	5880UXX5	Right to Left	B360R/B361R		
	14-10	Brass	5881	5881UXX5	Right to Left			
186-L Series								
1.37	18-14	Brass	5889	5889UXX5	Left to Right	B360L/ B361L	C001	C009
	14-10	Brass	5888	5888UXX5				
	18-14	Brass	5886	5886UXX5	Right to Left	B360R/B361R		
	14-10	Brass	5884	5884UXX5				

* Heyco high volume Application Tooling, designed for 3-5 ton presses - see page 8-59.

Heyco Mini Applicators, designed for 1.5-3 ton bench top presses, are available - see page 8-59.

** “XX” represents Wire Gauge. Please specify Wire Gauge when ordering.



Quick Specs

Materials

Alloy 260 Brass (70% Cu, 30% Zn. Higher Cu content resists dezincification)