

“Stay Connected” with



Liquid Tight Cordgrips

a PennEngineering® Company

# Heyco®-Tite Nylon Liquid Tight Romex® and Other Oval Hole Connectors

## Straight-Thru, NPT Hubs with Integral Sealing Ring

For Romex® NM-B and UF-B Cables. For use in clearance or threaded holes, electrical conduit couplings and adapters.

*The Ultimate in Liquid Tight Strain Relief Protection*

**NO O-RING  
REQUIRED!**



WILL FIT THESE CABLES			PART NO.	DESCRIPTION	UL	PART DIMENSIONS									
Romex® Type	AWG/ Conds.	Approximate Size in. mm.				Black	A Clearance Hole Dia. in. mm.	B Max. O.A. Length in. mm.	C Thread Length in. mm.	D Wrenching Nut Thickness in. mm.		E Flat Size in. mm.			

**Romex® Connectors – assembled steel locknuts included**

NM-B	14/2	.19 x .39	4.9 x 9.9	M3231GZA*	LTCG 1/2	UL	.875	22.2	1.70	43.2	.61	15.5	.21	5.3	.98	24.9
				M3234GZA	LTCG 3/4	-	1.040	26.4	2.00	50.8	.62	15.7	.25	6.4	1.30	33.0
NM-B	12/2	.21 x .42	5.3 x 10.7	M3231GZB*	LTCG 1/2	UL	.875	22.2	1.70	43.2	.61	15.5	.21	5.3	.98	24.9
				M3234GZB	LTCG 3/4	UL	1.040	26.4	2.00	50.8	.62	15.7	.25	6.4	1.30	33.0
UF-B	14/2	.18 x .35	4.5 x 8.9	M3234GZE	LTCG 3/4	-										
	12/2	.19 x .42	4.8 x 10.7	M3234GZF	LTCG 3/4	UL	1.040	26.4	2.00	50.8	.62	15.7	.25	6.4	1.30	33.0
		14/3	.19 x .63	4.8 x 16.1			M3234GZG*									

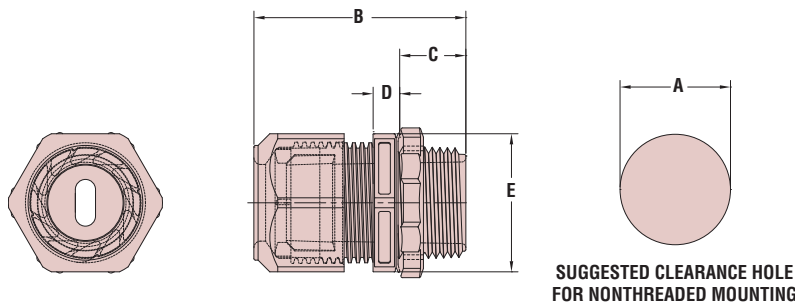
**Other Oval Hole LTCGs – locknuts not included**

n/a	n/a	.45 x .21	11.4 x 5.3	M3234GZK	LTCG 3/4	-	1.040	26.4	2.00	50.8	.62	15.7	.25	6.4	1.30	33.0
		.31 x .19	7.9 x 4.8	M3234GZM	LTCG 3/4	-										
		.69 x .19	17.5 x 4.8	M8437GZH	LTCG 1	-	1.326	33.7	2.41	61.2	.76	19.3	.30	7.6	1.73	43.9

Standard color black.

\* Certified by Canadian Standard Association for NMD-90 wire-File 93876.

- Multiple gland sizes for 12/2 through 14/3 Romex® NM-B and UF-B cable. Consult Heyco for additional cable sizes.
- Hub sizes for 1/2 NPT and 3/4 NPT electrical knock-outs or threaded couplings. Consult Heyco for PG and Metric threaded hubs.
- Ratchet design of sealing nut assembly provides superior anti-vibration protection and ensures a firm grip on this cable.
- Integral Sealing Ring ensures a superior seal at mounting locations every time.
- All nylon construction with TPE sealing gland resists salt water, weak acids, gasoline, alcohol, oil, grease, and common solvents. (This feature is not assessed by UL.)
- **Assembled Metal Locknuts INCLUDED.**



Material	Nylon 6/6 with TPE Sealing Gland
Certifications	UL Listed under Underwriters' Laboratories File E103540
Flammability Rating	94V-2
Temperature Range	Static -40°F (-40°C) to 239°F (115°C) Dynamic -4°F (-20°C) to 212°F (100°C)
IP Rating	IP 68

*Quick  
Specs*