



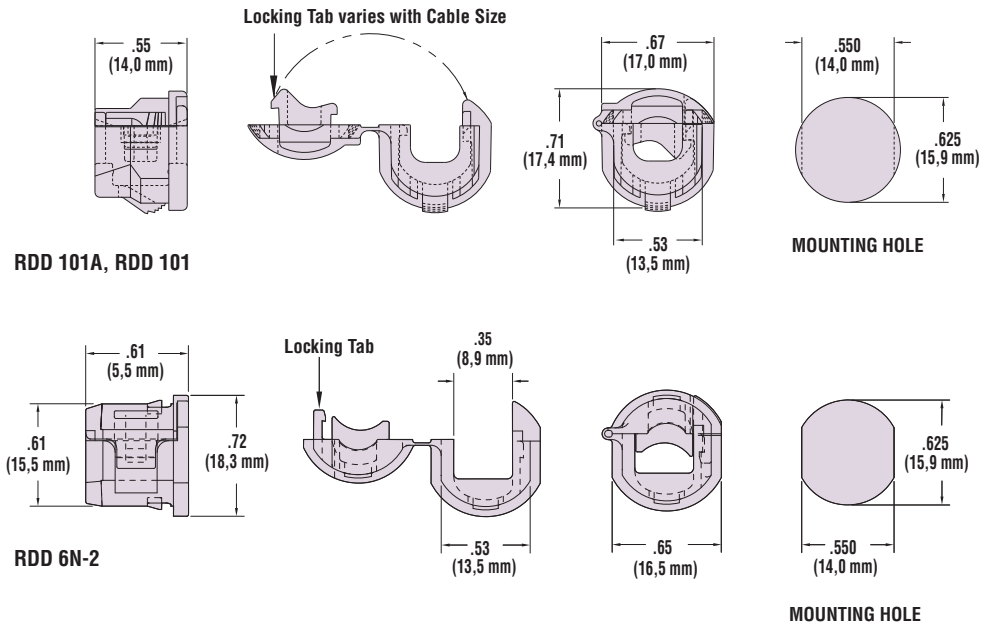
## Heyco® RDD Lockit™ Strain Relief Bushings – Straight-Thru

Snap onto **Round Cables** for Faster Assembly into **Double D Mounting Holes** – *Semi-Automatic Equipment Available*

- **Assembly friendly!** Independent of insertion into the panel, RDD Lockit™ Strain Reliefs **self-lock** onto the cable. Preassemble RDD Lockits off line for final assembly at a later time or remote location, for lower installed cost!
- Install easily with fingertip pressure into a standard round or Double D hole. No tools required, even for hand assembly.
- Protect the lifeline of your electric/electronic products by absorbing the forces of push and pull that may be exerted on the flexible power cord. Double D design eliminates the possibility of part rotation under forces of twist.
- Multiple panel locking steps secure Lockit Strain Reliefs into a wide range of panel thicknesses for a **flush, finished fit**.
- Heyco’s automated Pre-Assembly Equipment speeds assembly of the RDD onto the cable and thus lowers costs while greatly reducing risk of carpal tunnel syndrome. See pages 4-15 & 4-16.
- Consult Heyco for other wire types and sizes.
- See page 4-38 for corresponding **Mounting Hole Plugs** which can be used to fill blank/unused Mounting Holes and thus allow for a single panel design for multiple applications.
- For Double D Mounting Hole Punches, see page 4-30.

UL Type	WILL FIT THESE CABLES		PANEL DIMENSIONS				RDD LOCKIT STRAIN RELIEF for Faster Assembly			Corresponding Mounting Hole Plug		
	AWG/Conductors	Approximate Size	Mounting Hole Size		Thickness		Black	White	DESC.	PART NO.	DESC.	
AWN SJTO & SJ	18/3	.130- .210	3,3- 5,3	.625 w/ .550 flats	15,9 w/ 14,0 flats	.032 .040 .048 .063 .099	0,8 1,1 1,2 1,6 2,5	<b>1870</b>	<b>1871</b>	RDD 101-A	2497	DD 625-550
See table on page 4-10	various	.220- .290	5,6- 7,4	.625 w/ .550 flats	15,9 w/ 14,0 flats	.032 .040 .048 .063 .099	0,8 1,1 1,2 1,6 2,5	<b>1852</b>	<b>1853</b>	RDD 101	2497	DD 625-550
SJT SJO	18/3	.300- .330	7,6- 8,4	.625 w/ .550 flats	15,9 w/ 14,0 flats	.062	1,6	<b>1800</b>	<b>1801</b>	RDD 6N-2	2497	DD 625-550

Standard color black. Consult Heyco for white and other colors.



Quick Specs

Material	Nylon 6/6
Certifications	Recognized under UL File E15331 Certified by the Canadian Standards Association File 8919
Flammability Rating	94V-2
Temperature Range	-.04°F (-18°C) to 221°F (105°C)