

“Stay Connected” with



Power Components

a PennEngineering® Company



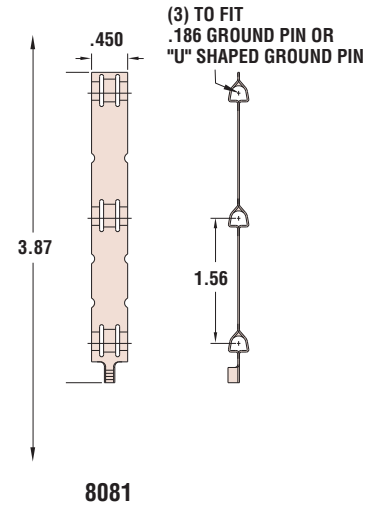
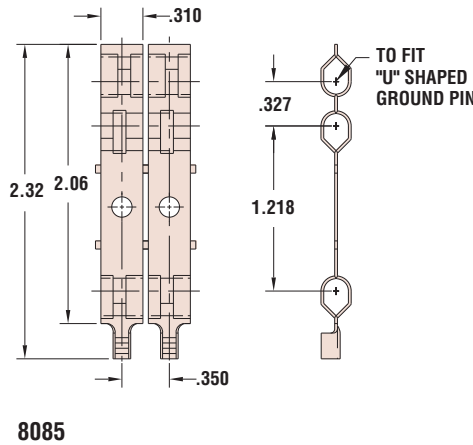
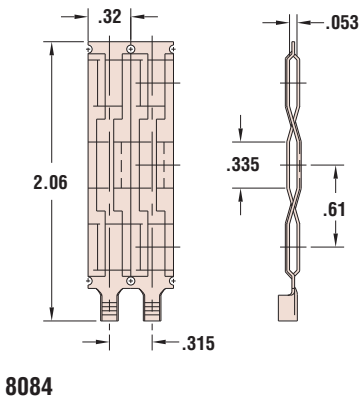
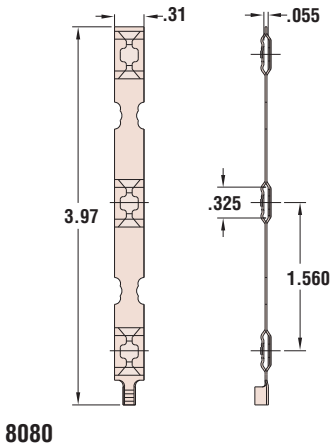
Heyco® Multi-Connectors for Power Blocks In-Line Power Block Females

- DFARS Compliant

Type	PART DATA		PART NO.	APPLICATION TOOLING*				
	AWG Range	Material		Die**	Feeds	Tool Packs	Crimp Punch	Anvil
Female Blade .045"	18-14	Brass	8079					
Female Blade .055"	18-14	Brass	8080	-	Bulk	-	-	-
Female Ground	18-14	Brass	8081					
(Short) Female Blade	18-14	Brass	8084	8084UXX5	Left to Right	B978L/B979L	C918, C919 & C920	C912
(Short) Female Ground	18-14	Brass	8085	8085UXX5	Left to Right	B980L/B981L	C926, C927 & C928	C923

* Use the Heyco Universal Applicator Die (indicated by “U” in the Die Part No.), page 8-59.

** “XX” represents Wire Gauge. Please specify Wire Gauge when ordering.



Quick Specs

Material

Alloy 260 Brass (70% Cu, 30% Zn. Higher Cu content resists dezincification)