

“Stay Connected” with



HEYware Products

a PennEngineering® Company

Heyco® Nytye® Mounting Platforms

Flat Platforms – Adhesive Back Mount

- Multiple sizes, strengths, and mounting options anchor Nytyes® securely.
- Five Types:
 - 1) Flat - Adhesive-Back and Screw Mounts
 - 2) Saddle - Screw Mount only
 - 3) Push Mount - Arrowhead and Blind Mounts
 - 4) Snap Over Bolt
 - 5) Stainless Steel Edge Clip “SunRunner Series”
- Rubber based adhesive effective up to 158°F (70°C).
- Acrylic based adhesive effective up to 167°F (75°C).
- Apply Adhesive-Backed parts to a clean, dry surface.
- Parts are not intended for direct exposure to harsh environments (extreme heat/sunlight, humidity, etc.) and better suited for use inside an enclosure in these types of environments.

| MAX. TENSILE STRENGTH | ADHESIVE | INSERT POINTS | RELEASE TAB? | PART NO. | DESCRIPTION | PART DIMENSIONS | | | | | | |
|-----------------------|----------|----------------|--------------|----------|-----------------------------|----------------------------------|------|------|------|------|-----|-----|
| | | | | | | A | | B | | C | | |
| Lbs. | N | | | Natural | | | | | | | | |
| NEW! 3 | 13 | Rubber Acrylic | 4 | yes | 3591 3591A | MP-050x050-ABR MP-050x050-ABA | .50 | 12,7 | .50 | 12,7 | .17 | 4,3 |
| NEW! 15 | 67 | Rubber Acrylic | 4 | yes | 3595 3595A | MP-075x075-ABR MP-075x075-ABA | .75 | 19,1 | .75 | 19,1 | .28 | 7,0 |
| NEW! 15 | 67 | Rubber Acrylic | 4 | yes | 3594 3594A | MP-080x080-ABR MP-080x080-ABA | .80 | 20,3 | .80 | 20,3 | .19 | 4,8 |
| NEW! 20 | 89 | Rubber Acrylic | 4 | yes | 3599 3599A | MP-100x100-ABR MP-100x100-ABA | 1.00 | 25,4 | 1.00 | 25,4 | .32 | 8,1 |
| 50 | 222 | Rubber | 2 | yes | 3590* | MP-110x110-ABR | 1.10 | 27,9 | 1.10 | 27,9 | .24 | 6,0 |
| | | | 4 | yes | 3593* | MP-115x115-ABR | 1.15 | 29,2 | 1.15 | 29,2 | .26 | 6,6 |

Standard color natural. *These adhesive-backed parts are also screw mountable.

Flat Platforms – Screw Mount

| MAX. TENSILE STRENGTH | SCREW SIZE | INSERT POINTS | PART NO. | DESCRIPTION | PART DIMENSIONS | | | | | | | |
|-----------------------|------------|---------------|----------|-------------|-----------------|---------------|------|------|------|------|-----|-----|
| | | | | | A | | B | | C | | | |
| Lbs. | N | in. | mm. | Natural | in. | mm. | in. | mm. | in. | mm. | | |
| 24 | 105 | #6 | 3,5 | 4 | 4264 | MP-075x075-S6 | .75 | 19,1 | .75 | 19,1 | .24 | 6,0 |
| 50 | 222 | | | 4 | 4265 | MP-038x075-S8 | .75 | 19,1 | .38 | 9,5 | .20 | 5,0 |
| 38 | 170 | #8 | 4,0 | | 3589 | MP-100x100-S8 | 1.00 | 25,4 | 1.00 | 25,4 | .28 | 7,1 |
| NEW! 15 | 68 | | | 2 | 3580 | MP-110x110-S8 | 1.10 | 27,9 | 1.10 | 27,9 | .20 | 5,1 |
| NEW! 16 | 70 | #6 | 3,5 | 4 | 3581 | MP-115x115-S6 | 1.15 | 29,2 | 1.15 | 29,2 | .22 | 5,6 |

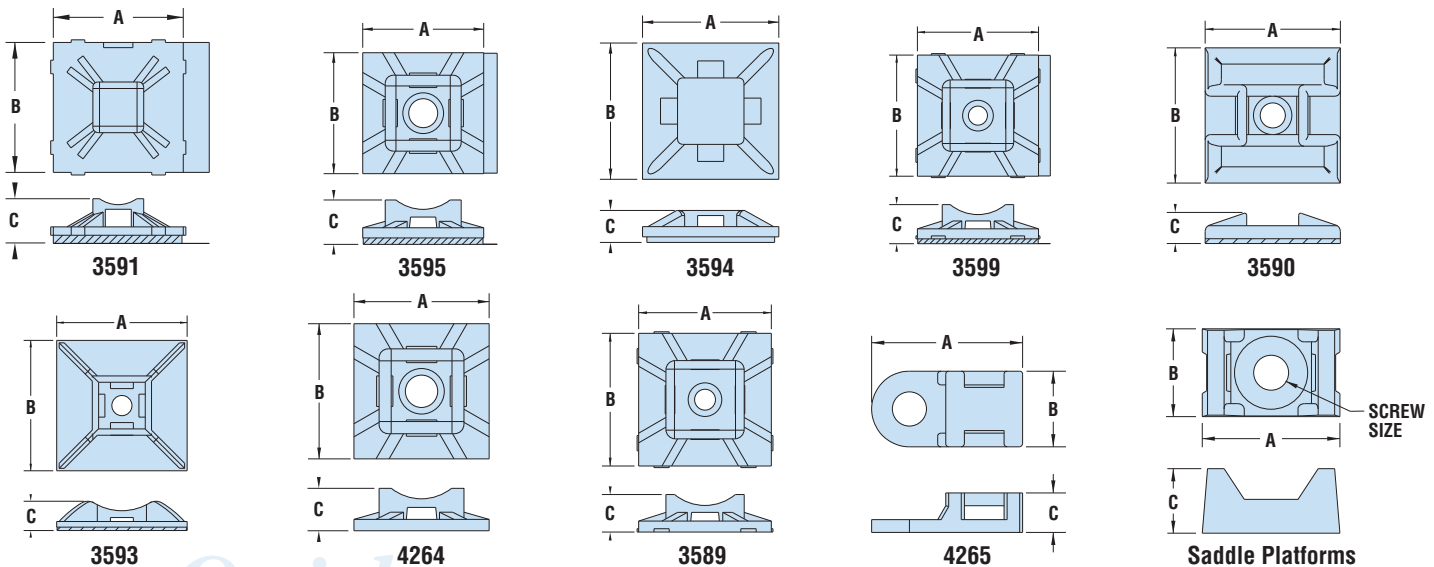
Standard color natural.

Saddle Platforms – Screw Mount

| MAX. TENSILE STRENGTH | SCREW SIZE | INSERT POINTS | PART NO. | DESCRIPTION | PART DIMENSIONS | | | | | | | |
|-----------------------|------------|---------------|----------|-------------|-----------------|---------|-----|------|-----|------|-----|-----|
| | | | | | A | | B | | C | | | |
| Lbs. | N | in. | mm. | Natural | in. | mm. | in. | mm. | in. | mm. | | |
| 18 | 80 | #4 | 3,0 | 2 | 4269 | MP S-4 | .51 | 13,0 | .33 | 8,3 | .24 | 6,1 |
| 50 | 222 | #8 | 4,0 | 2 | 3759 | MP S-8 | .60 | 15,2 | .38 | 9,7 | .28 | 7,0 |
| 120 | 534 | #10 | 5,0 | 2 | 3753 | MP S-10 | .87 | 22,2 | .62 | 15,7 | .39 | 9,9 |

Standard color natural.

| Tensile | Width | |
|---------|-------|-----|
| | Lbs. | in. |
| 18 | .10 | 2,5 |
| 40 | .14 | 3,6 |
| 50 | .19 | 4,8 |
| 120 | .30 | 7,6 |



Quick Specs

Material Nylon 6/6
 Certifications Recognized under the Component Program of Underwriters' Laboratories File E54523 (Adhesive-Back Mount parts only)
 Flammability Rating 94V-2
 Temperature Range -32°F (0°C) to 158°F (70°C)