

“Stay Connected” with



Power Components

a PennEngineering® Company



## Heyco® Preassembled Cordset Components

For Heyco Application Equipment, see pages 8-59 and 8-60

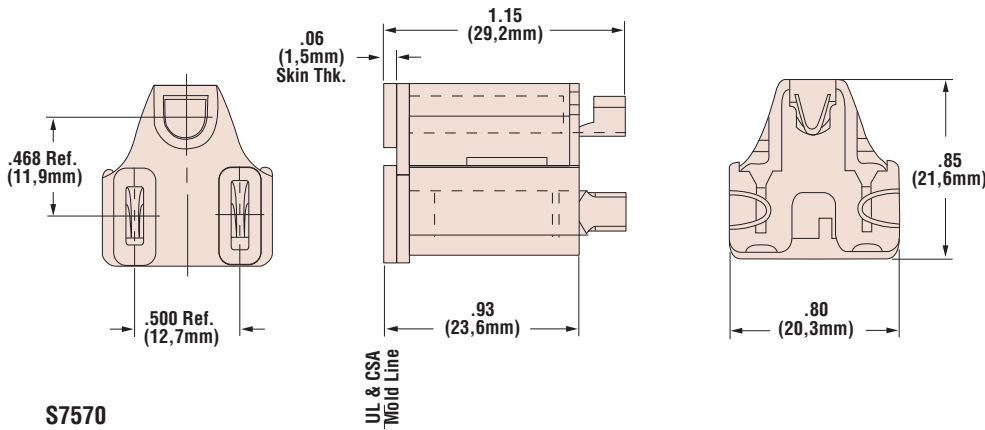
### Female Bridge—NEMA 5-15R

PART DATA			PART NO.	APPLICATION TOOLING*			
Type	Color	AWG Range		Die	Feeds	Crimp Punch	Anvil
5-15R Female Bridge	Black	18-12	<b>S7570</b>	Z370	Semi-Auto*	Z335, Z409	Z334
	Natural	18-12	<b>S7571</b>				
	Clear	18-12	<b>S7574**</b>				
5-15R Female Bridge	Black	12-10	<b>S7572</b>	Z641	Semi-Auto*	Z636, Z637	Z635
	Natural	12-10	<b>S7573</b>				
	Clear	12-10	<b>S7575**</b>				

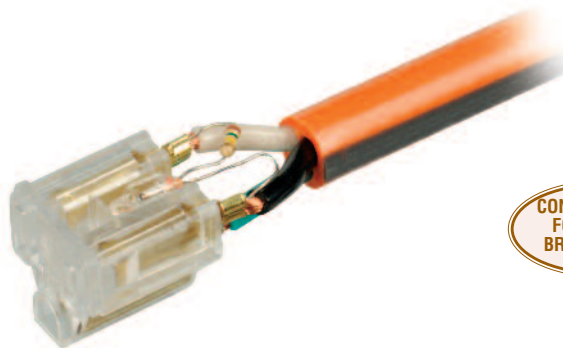
\* Semi-Automatic Terminating Equipment is available, see below and page 8-60.

\*\*Clear bridges are not UL recognized.

- Crimp all three terminals at once.
- Faster loading of plug molds.
- **Reduce plug molding and cycle time.**
- Assure reliable contact performance.
- Improve plug quality.
- **Reduce PVC usage and plug cost!**
- Eliminate the need for a polarity barrier.
- Pass UL/CSA cold temperature insertion test.
- Automated terminating equipment is available, see page 8-60.
- DFARS Compliant



S7570



CONSULT HEYCO FOR FEMALE BRIDGES WITH LIGHT



Heyco Female Bridge Machine (see page 8-60)

Materials Alloy 260 Brass (70% Cu, 30% Zn. Higher Cu content resists dezincification)  
 Black and Natural - 6/6 Nylon, Clear - Polycarbonate

Certifications Recognized Component under UL File E231361

Standards NEMA 5-15R

Quick Specs